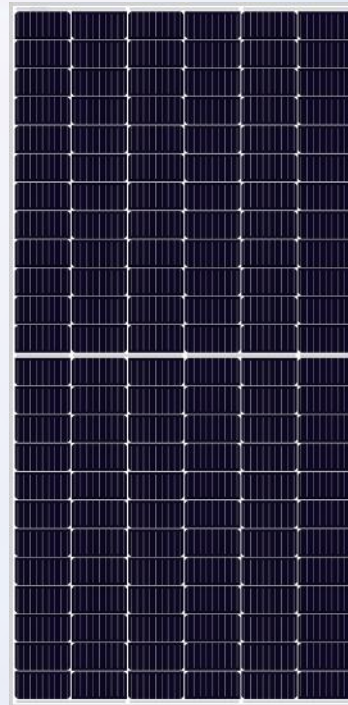
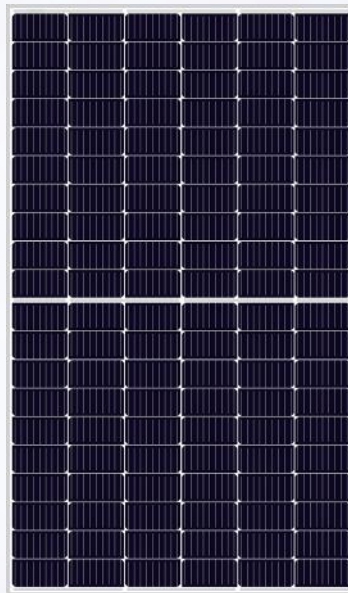
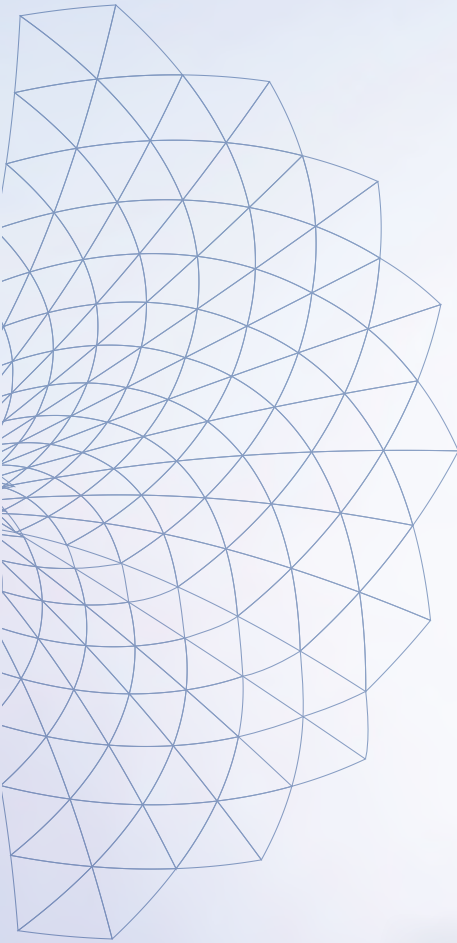






# HIGH POWER PERC SOLAR MODULE

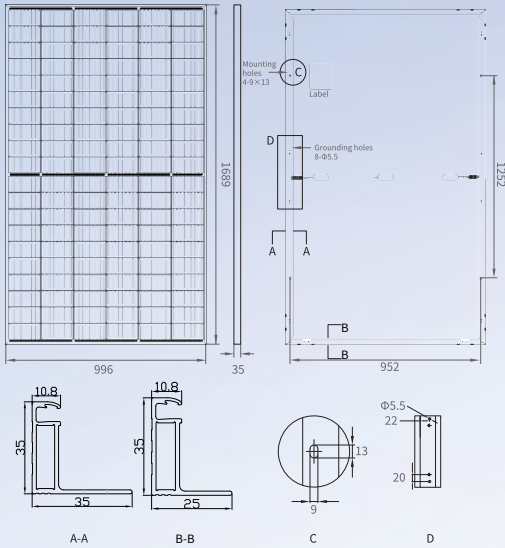
MBB | Half cut

Optional: **JNMM120-330~335** | **JNMM144-405~410**  
**JNMM120-365~375** | **JNMM144-445~455**



## HIGH POWER & HIGH COMPATIBILITY

-  High-power and larger modules reduce BOS cost and LCOE of power stations
-  Optional different layouts and types of modules for various scenarios



**MECHANICAL PARAMETERS**

Cell (mm)	158.75*79.375 Mono
Dimensions (L*W*H) (mm)	1684*1002*35/40 1689*996*35/40
Weight (kg)	18.1/18.4 18.1/18.4
Cable Cross Section Size (mm <sup>2</sup> )	4
Cable Length (mm)	Positive 295 / Negative 145
No. of Cells & Connections	120(6*20)
No. of Diodes	3
Type of Connector	PV-JN01/PV-KST4-EVO 2/xy_UR,PV-KBT4-EVO2/xy_UR

**QUALIFICATION**

Max. System Voltage (V DC)	1500
Temperature Cycling Range (°C)	-40~+85
Max. Series Fuse Rating (A)	20
Max. Wind Load / Max. Snow Load (Pa)	2400 / 5400
Fire Rating	Class C
Junction Box & Connector Protection Grade	IP68

**TEMPERATURE COEFFICIENTS**

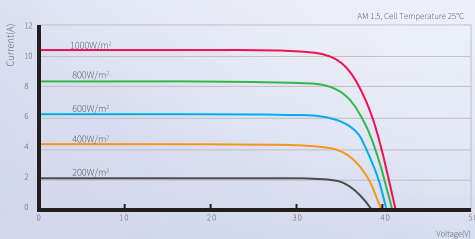
Nominal Module Operating Temperature (NMOT)	43±2°C
Temperature Coefficient Voltage (Voc)	-0.29 %/°C
Temperature Coefficient Current (Isc)	0.04 %/°C
Temperature Coefficient Power (Pm)	-0.37 %/°C

**ELECTRICAL PARAMETERS**

Module Type	JNMM120-330	JNMM120-335	
<b>STC</b> AM1.5 1000W/m <sup>2</sup> Cell Temperature 25°C	Max. Power at STC (Pmpp/W)	330	335
	Output Tolerance (W)	0~+5	0~+5
	Max. Power Voltage (Vmp/V)	33.43	33.70
	Max. Power Current (Imp/A)	9.87	9.94
	Open Circuit Voltage (Voc/V)	41.22	41.56
	Short Circuit Current (Isc/A)	10.29	10.36
	Module Efficiency (%)	19.6	19.9
<b>NMOT</b> AM1.5 800W/m <sup>2</sup> Ambient Temperature 20°C Wind Speed 1m/s	Max. Power at NMOT (Pmpp/W)	248.4	252.1
	Max. Power Voltage (Vmp/V)	31.46	31.71
	Max. Power Current (Imp/A)	7.90	7.95
	Open Circuit Voltage (Voc/V)	38.92	39.24
	Short Circuit Current (Isc/A)	8.28	8.34

\* Measurement tolerance: Pmax:±3%, Voc:±3%, Isc:±5%.

**I-V CURVE(335W)**



**PACKING CONFIGURATION**

<b>Container (High cube)</b>	
Pieces Per Pallet	31/27/31/27
Pallets Per Stack	2
Extra Pieces Per Stack	4
Stacks Per Container	13
Pieces Per Container	858/754/858/754



TUV: IEC/EN 61215, IEC/EN 61730  
 GB/T 19001-2016/ ISO 9001:2015  
 GB/T 24001-2016/ ISO 14001:2015  
 GB/T 45001-2020/ ISO 45001:2018  
 CNAS-CL01: ISO/IEC 17025:2017

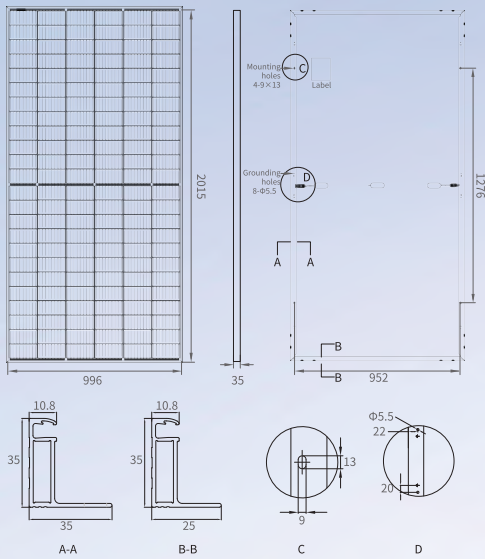
CAUTION: The electrical parameters in this product datasheet do not refer to only one module. Read safety and installation instructions before using the product. The contents of this specification are for reference only and are subject to change without notice. Jinery reserves the right of final interpretation. made in China. JNM-20230906-11.3P © 2022 JINNING CLEAN ENERGY TECHNOLOGY LTD. ALL RIGHTS RESERVED.

**15-year Product materials and workmanship quality warranty**

Output power

The 1st year	The 15th year	The 25th year
≥98.00%	≥90.30%	≥84.80%





## MECHANICAL PARAMETERS

Cell (mm)	158.75*79.375 Mono
Dimensions (L*W*H) (mm)	2008*1002*35/40 2015*996*35/40
Weight (kg)	22.1/22.4 22.1/22.4
Cable Cross Section Size (mm <sup>2</sup> )	4
Cable Length (mm)	Positive 295 / Negative 145
No. of Cells & Connections	144(6*24)
No. of Diodes	3
Type of Connector	PV-JN01/PV-KST4-EVO 2/xy_UR,PV-KBT4-EVO2/xy_UR

## QUALIFICATION

Max. System Voltage (V DC)	1500
Temperature Cycling Range (°C)	-40~+85
Max. Series Fuse Rating (A)	20
Max. Wind Load / Max. Snow Load (Pa)	2400 / 5400
Fire Rating	Class C
Junction Box & Connector Protection Grad	IP68

## TEMPERATURE COEFFICIENTS

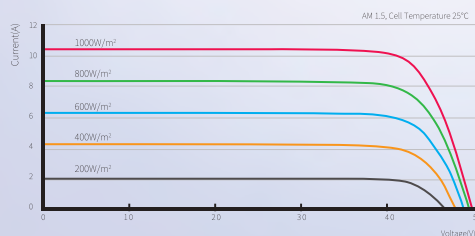
Nominal Module Operating Temperature (NMOT)	43±2°C
Temperature Coefficient Voltage (Voc)	-0.29 %/°C
Temperature Coefficient Current (Isc)	0.04 %/°C
Temperature Coefficient Power (Pm)	-0.37 %/°C

## ELECTRICAL PARAMETERS

Module Type	JNMM144-405	JNMM144-410	
<b>STC</b> AM1.5 1000W/m <sup>2</sup> Cell Temperature 25°C	Max. Power at STC (Pmpp/W)	405	410
	Output Tolerance (W)	0-+5	0-+5
	Max. Power Voltage (Vmp/V)	40.53	40.75
	Max. Power Current (Imp/A)	10.00	10.07
	Open Circuit Voltage (Voc/V)	49.84	50.00
	Short Circuit Current (Isc/A)	10.42	10.48
	Module Efficiency (%)	20.2	20.4
<b>NMOT</b> AM1.5 800W/m <sup>2</sup> Ambient Temperature 20°C Wind Speed 1m/s	Max. Power at NMOT (Pmpp/W)	304.8	308.6
	Max. Power Voltage (Vmp/V)	38.10	38.30
	Max. Power Current (Imp/A)	8.00	8.06
	Open Circuit Voltage (Voc/V)	47.05	47.20
	Short Circuit Current (Isc/A)	8.39	8.44

\* Measurement tolerance: Pmax:±3%, Voc:±3%, Isc:±5%.

## I-V CURVE(410W)



## PACKING CONFIGURATION

<b>Container (High cube)</b>	
Pieces Per Pallet	31/27/31/27
Pallets Per Stack	2
Extra Pieces Per Stack	4
Stacks Per Container	11
Pieces Per Container	726/638/726/638



TUV: IEC/EN 61215, IEC/EN 61730  
 GB/T 19001-2016/ ISO 9001:2015  
 GB/T 24001-2016/ ISO 14001:2015  
 GB/T 45001-2020/ ISO 45001:2018  
 CNAS-CL01: ISO/IEC 17025:2017

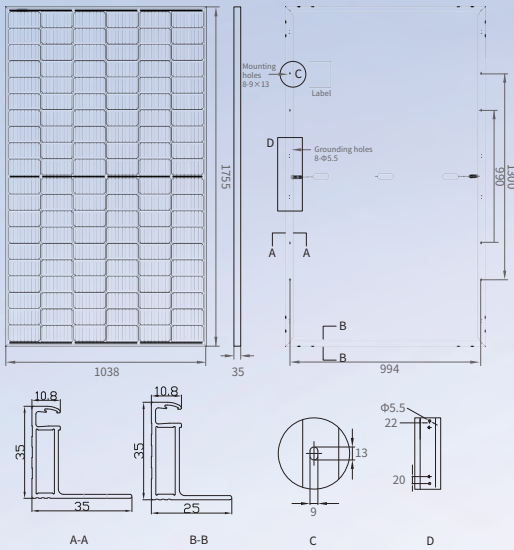
## 15-year Product materials and workmanship quality warranty

Output power		
The 1st year	The 15th year	The 25th year
≥98.00%	≥90.30%	≥84.80%

CAUTION: The electrical parameters in this product datasheet do not refer to only one module. Read safety and installation instructions before using the product. The contents of this specification are for reference only and are subject to change without notice. Jinerger reserves the right of final interpretation. made in China. JNM-20230906-11.3P © 2022 JINNING CLEAN ENERGY TECHNOLOGY LTD. ALL RIGHTS RESERVED.







## MECHANICAL PARAMETERS

Cell (mm)	166*83 Mono
Dimensions (L*W*H) (mm)	1755*1038*35/40 1765*1048*35/40
Weight (kg)	19.5/19.8 19.6/19.9
Cable Cross Section Size (mm <sup>2</sup> )	4
Cable Length (mm)	Positive 295 / Negative 145
No. of Cells & Connections	120(6*20)
No. of Diodes	3
Type of Connector	PV-JN01/PV-KST4-EVO 2/xy_UR,PV-KBT4-EVO2/xy_UR

## QUALIFICATION

Max. System Voltage (V DC)	1500
Temperature Cycling Range (°C)	-40~+85
Max. Series Fuse Rating (A)	20
Max. Wind Load / Max. Snow Load (Pa)	2400 / 5400
Fire Rating	Class C
Junction Box & Connector Protection Grad	IP68

## TEMPERATURE COEFFICIENTS

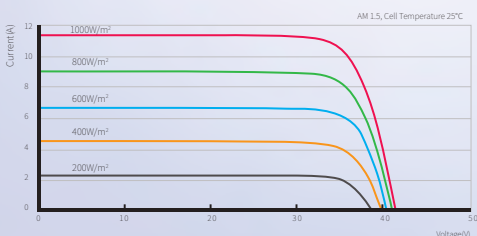
Nominal Module Operating Temperature (NMOT)	43±2°C
Temperature Coefficient Voltage (Voc)	-0.29 %/°C
Temperature Coefficient Current (Isc)	0.04 %/°C
Temperature Coefficient Power (Pm)	-0.37 %/°C

## ELECTRICAL PARAMETERS

Module Type	JNMM120-365	JNMM120-370	JNMM120-375	
<b>STC</b> AM1.5 1000W/m <sup>2</sup> Cell Temperature 25°C	Max. Power at STC (Pmpp/W)	365	370	375
	Output Tolerance (W)	0+5	0+5	0+5
	Max. Power Voltage (Vmp/V)	33.89	34.08	34.28
	Max. Power Current (Imp/A)	10.77	10.86	10.95
	Open Circuit Voltage (Voc/V)	41.10	41.30	41.50
	Short Circuit Current (Isc/A)	11.28	11.37	11.46
	Module Efficiency (%)	20.0	20.3	20.6
<b>NMOT</b> AM1.5 800W/m <sup>2</sup> Ambient Temperature 20°C Wind Speed 1m/s	Max. Power at NMOT (Pmpp/W)	274.7	278.5	282.2
	Max. Power Voltage (Vmp/V)	31.88	32.05	32.22
	Max. Power Current (Imp/A)	8.62	8.69	8.76
	Open Circuit Voltage (Voc/V)	38.80	38.99	39.18
	Short Circuit Current (Isc/A)	9.08	9.15	9.23

\* Measurement tolerance: Pmax:±3%, Voc:±3%, Isc:±5%.

## I-V CURVE(370W)



## PACKING CONFIGURATION

<b>Container (High cube)</b>	
Pieces Per Pallet	31/27/31/27
Pallets Per Stack	2
Stacks Per Container	13
Pieces Per Container	806/702/806/702



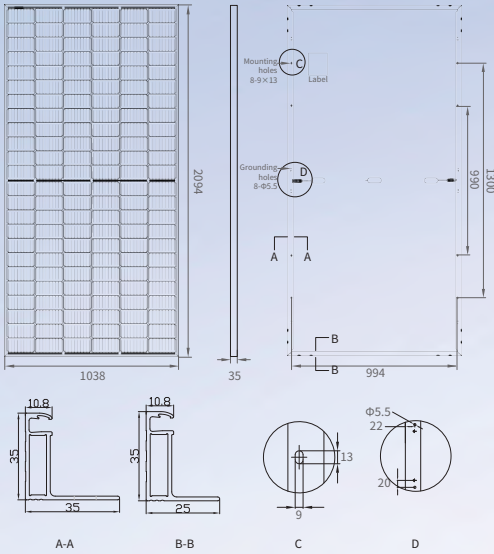
TUV: IEC/EN 61215, IEC/EN 61730  
 GB/T 19001-2016/ ISO 9001:2015  
 GB/T 24001-2016/ ISO 14001:2015  
 GB/T 45001-2020/ ISO 45001:2018  
 CNAS-CL01: ISO/IEC 17025:2017

### 15-year Product materials and workmanship quality warranty

Output power

The 1st year	The 15th year	The 25th year
≥98.00%	≥90.30%	≥84.80%

CAUTION: The electrical parameters in this product datasheet do not refer to only one module. Read safety and installation instructions before using the product. The contents of this specification are for reference only and are subject to change without notice. Jinery reserves the right of final interpretation. made in China. JNM-20230906-11.3P © 2022 JINNING CLEAN ENERGY TECHNOLOGY LTD. ALL RIGHTS RESERVED.



## MECHANICAL PARAMETERS

Cell (mm)	166*83 Mono
Dimensions (L*W*H) (mm)	2094*1038*35/40 2108*1048*35/40
Weight (kg)	23.3/23.6 23.5/23.8
Cable Cross Section Size (mm <sup>2</sup> )	4
Cable Length (mm)	Positive 295 / Negative 145
No. of Cells & Connections	144(6*24)
No. of Diodes	3
Type of Connector	PV-JN01/PV-KST4-EVO 2/xy_UR,PV-KBT4-EVO2/xy_UR

## QUALIFICATION

Max. System Voltage (V DC)	1500
Temperature Cycling Range (°C)	-40~+85
Max. Series Fuse Rating (A)	20
Max. Wind Load / Max. Snow Load (Pa)	2400 / 5400
Fire Rating	Class C
Junction Box & Connector Protection Grade	IP68

## TEMPERATURE COEFFICIENTS

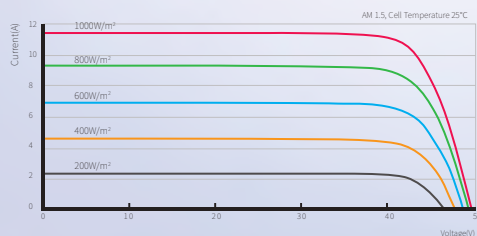
Nominal Module Operating Temperature (NMOT)	43±2°C
Temperature Coefficient Voltage (Voc)	-0.29 %/°C
Temperature Coefficient Current (Isc)	0.04 %/°C
Temperature Coefficient Power (Pm)	-0.37 %/°C

## ELECTRICAL PARAMETERS

Module Type	JNMM144-445	JNMM144-450	JNMM144-455
<b>STC</b> AM1.5 1000W/m <sup>2</sup> Cell Temperature 25°C	Max. Power at STC (Pmpp/W)	445	455
	Output Tolerance (W)	0-+5	0-+5
	Max. Power Voltage (Vmp/V)	41.16	41.36
	Max. Power Current (Imp/A)	10.82	10.89
	Open Circuit Voltage (Voc/V)	49.78	49.98
	Short Circuit Current (Isc/A)	11.42	11.50
	Module Efficiency (%)	20.5	20.7
<b>NMOT</b> AM1.5 800W/m <sup>2</sup> Ambient Temperature 20°C Wind Speed 1m/s	Max. Power at NMOT (Pmpp/W)	334.9	342.5
	Max. Power Voltage (Vmp/V)	38.69	38.88
	Max. Power Current (Imp/A)	8.66	8.71
	Open Circuit Voltage (Voc/V)	47.00	47.37
	Short Circuit Current (Isc/A)	9.19	9.32

\* Measurement tolerance: Pmax: ±3%, Voc: ±3%, Isc: ±5%.

## I-V CURVE(450W)



## PACKING CONFIGURATION

<b>Container (High cube)</b>	
Pieces Per Pallet	31/27/31/27
Pallets Per Stack	2
Stacks Per Container	11
Pieces Per Container	682/594/682/594



TUV: IEC/EN 61215, IEC/EN 61730  
GB/T 19001-2016/ ISO 9001:2015  
GB/T 24001-2016/ ISO 14001:2015  
GB/T 45001-2020/ ISO 45001:2018  
CNAS-CL01: ISO/IEC 17025:2017

CAUTION: The electrical parameters in this product datasheet do not refer to only one module. Read safety and installation instructions before using the product. The contents of this specification are for reference only and are subject to change without notice. Jinery reserves the right of final interpretation. made in China. JNM-20230906-11.3P © 2022 JINNENG CLEAN ENERGY TECHNOLOGY LTD. ALL RIGHTS RESERVED.

### 15-year Product materials and workmanship quality warranty

Output power		
The 1st year	The 15th year	The 25th year
≥98.00%	≥90.30%	≥84.80%

